

PRESSURE REDUCING PILOT TYPE PR

3-Way Pressure Reducing Pilot Model PR

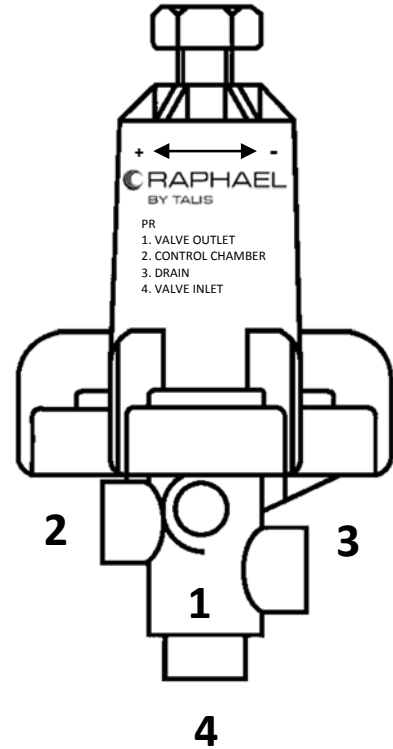
Valve size 1"- 4"

Equipped with four connections:

- 1 Sensor connection - conveys downstream Pressure into the pilot.
Connected to valve outlet.
- 2 Command connection - Connected to Valve control chamber.
- 3 Drain connection- Connected to atmosphere.
- 4 Pressure connection- Connected to valve inlet.

Adjusting

Turning the adjusting screw counter clockwise (-) Pressure will decrease. Turning the adjusting Screw clockwise (+) pressure will increase.



Pressure Reducing Valve

Maintains a steady pressure after the hydraulic Valve (downstream pressure) at varying flows And inlet (upstream) pressures.

Technical data

Pressure rating	10 bar / 150 psi
Pressure adjustment range	0.3 - 7.5 bar / 5 - 100 psi
Fluid temperature	50°C max. / 120°F max.
Port Connections	NPT X 8mm

Springs adjustment range

Color	bar	psi
Green (Std.)	0.5 - 4.5	7 - 60
yellow	0.3-3	5 -40
Red	1-7.5	15-100

May 2016

RAPHAEL is a company of