

# UNIVERSAL PILOT TYPE PSR

## 3-Way Pressure Sustaining/Reducing Pilot Model PSR

Valve size 1" - 4"

### SUSTAINING MODE

Equipped with four connections:

- 1 Sensor connection - Connected to valve inlet.
- 2 Pressure connection- Connected to valve inlet.
- 3 Command connection - Connected to valve control chamber.
- 4 Drain connection- Connected to atmosphere.

### Adjusting

Turning the adjusting screw counter clockwise (-) Pressure will decrease. Turning the adjusting Screw clockwise (+) pressure will increase.

### Pressure Sustaining Valve

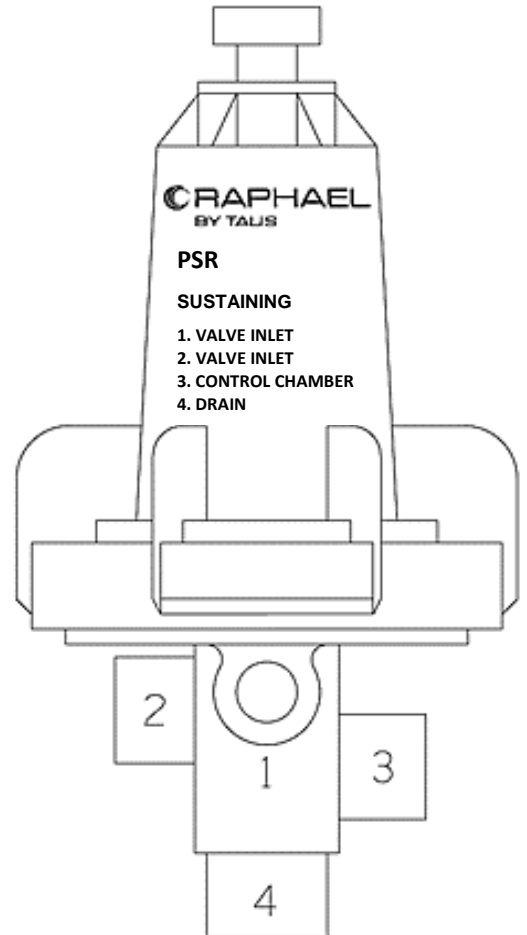
Maintains set pressure before the hydraulic valve (upstream pressure) at varying flows or inlet (upstream) pressures.

#### Technical Data

Pressure rating	10 bar / 150 psi
Pressure adjustment range	0.3 - 7.5 bar / 5 - 100 psi
Fluid temperature	50°C max. / 120°F max.
Port Connections	XPT X 8mm

#### Springs adjustment range

color	bar	psi
Green (std.)	0.5-4.5	7-60
Yellow	0.3-3	5-40
red	1-7.5	15-100



July 2016

RAPHAEL is a company of

# UNIVERSAL PILOT TYPE PSR

## 3-Way Pressure Sustaining/Reducing Pilot Model PSR

Valve size 1" - 4"

### REDUCING MODE

Equipped with four connections:

- 1 Sensor connection - Connected to valve outlet.
- 2 Drain connection- Connected to atmosphere.
- 3 Command connection - Connected to valve control chamber.
- 4 pressure connection- Connected to valve inlet.

### Adjusting

Turning the adjusting screw counter clockwise (-) Pressure will decrease. Turning the adjusting Screw clockwise (+) pressure will increase.

### Pressure Sustaining Valve

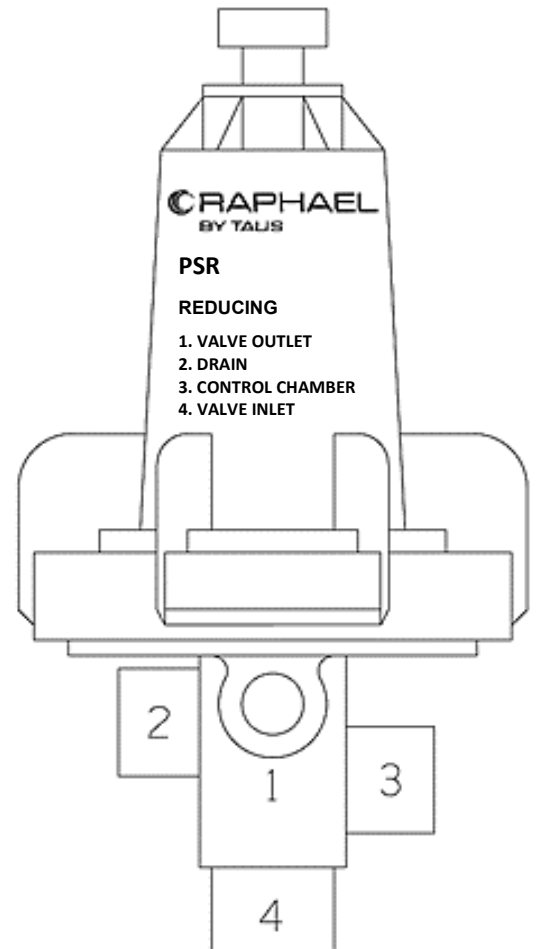
Maintains set pressure after the hydraulic valve (downstream pressure) at varying flows and inlet (upstream) pressures.

### Technical Data

Pressure rating	10 bar / 150 psi
Pressure adjustment range	0.3 - 7.5 bar / 5 - 100 psi
Fluid temperature	50°C max. / 120°F max.
Port Connections	XPT X 8mm

### Springs adjustment range

color	bar	psi
Green (std.)	0.5-4.5	7-60
Yellow	0.3-3	5-40
red	1-7.5	15-100



July 2016

RAPHAEL is a company of